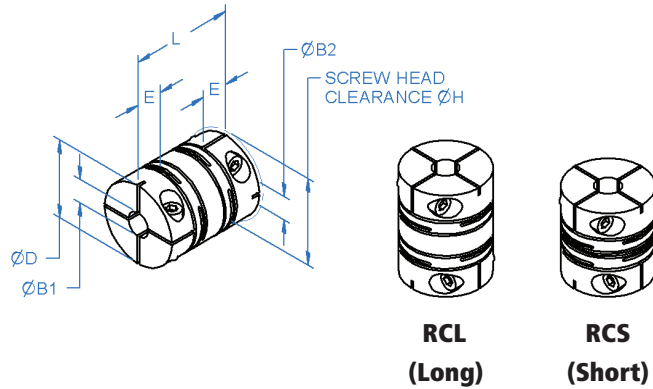


PRODUCT NAME - RELI-A-FLEX®

RCSA20C-8-5

Basic Part# **Size** **Bore size**
C: Clamp $\varnothing B1-B2$
S: Set



BORE SIZES AND DIMENSIONS

| Basic part# | Material | Size | Standard bore sizes B1 and B2 Bore tolerance +0.020/-0.00 | O/D $\varnothing D$ | $\varnothing H$ | Length H | Hub Length E | Fitted Screw |
|-------------|--------------|------|--|------------------------|-----------------|-------------|-----------------|--------------|
| RCS (Short) | A (Aluminum) | 13C | 3 4 5 6 | 13.0 | 14.5 | 16.8 | 5.0 | M1.6 |
| | | 16C | 3 4 5 6 8 | 16.0 | 18.0 | 17.5 | 5.9 | M2 |
| | | 20C | 4 5 6 8 10 | 20.0 | 21.8 | 21.5 | 6.6 | M2.5 |
| | | 25C | 5 6 8 10 12 | 25.0 | 26.9 | 25.8 | 7.6 | M3 |
| RCL (Long) | | 13C | 3 4 5 6 | 13.0 | 14.5 | 20.0 | 5.0 | M1.6 |
| | | 16C | 3 4 5 6 8 | 16.0 | 18.0 | 23.5 | 5.9 | M2 |
| | | 20C | 4 5 6 8 10 | 20.0 | 21.8 | 26.0 | 6.6 | M2.5 |
| | | 25C | 5 6 8 10 12 | 25.0 | 25.0 | 34.0 | 7.6 | M3 |

TECHNICAL SPECIFICATIONS

| Basic part# | Material | Size | Torsional Stiffness mNm/arc min | Radial Compliance microns/N | Misalignment | | | Max Mass g |
|-------------|--------------|------|------------------------------------|--------------------------------|----------------|----------------|-------------|---------------|
| | | | | | Parallel mm | Angular deg | Axial mm | |
| RCS (Short) | A (Aluminum) | 13C | 13.09 | 29.2 | 0.08 | 2.5 | ±0.30 | 4.4 |
| | | 16C | 20.36 | 28.9 | 0.10 | 2.5 | ±0.40 | 8.6 |
| | | 20C | 33.45 | 23.4 | 0.12 | 3.0 | ±0.50 | 14.9 |
| | | 25C | 52.94 | 20.0 | 0.16 | 3.0 | ±0.70 | 27.5 |
| RCL (Long) | | 13C | 15.56 | 64.3 | 0.15 | 2.5 | ±0.30 | 5.5 |
| | | 16C | 24.43 | 65.1 | 0.20 | 2.5 | ±0.40 | 10.6 |
| | | 20C | 40.43 | 62.0 | 0.25 | 3.0 | ±0.50 | 18.7 |
| | | 25C | 66.03 | 82.2 | 0.40 | 3.0 | ±0.70 | 38.5 |

TORQUE AND SPEED CAPACITY

| Basic part# | Size | Typical Torque Capacity | | | Max Speed |
|-------------|------|-------------------------|--------------|-----------|-----------|
| | | Reversing (Nm) | Non Rev (Nm) | Peak (Nm) | |
| RCS (Short) | 13C | 0.35 | 0.45 | 0.50 | 12000 |
| | 16C | 0.55 | 0.85 | 1.25 | 10000 |
| RCL (Long) | 20C | 0.95 | 1.45 | 2.45 | 7500 |
| | 25C | 1.55 | 2.35 | 3.90 | 5000 |

